

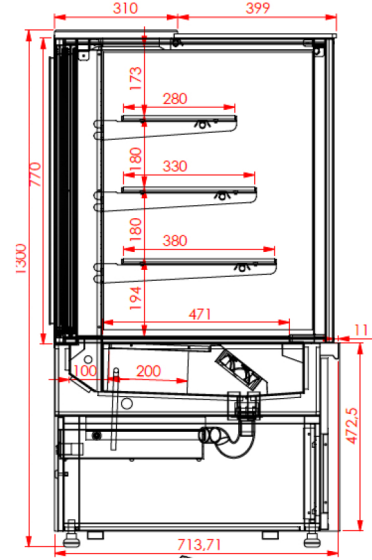
TRUVA PLUG-IN WITH VERTICAL GLASS

alascold
REFRIGERATION

Technical Specifications



Fresh pastry, dry pastry display showcase internal or external motor cooling.
Ergonomic design with sliding back at the workbench where it can work comfortably.
Display opportunity with stainless pan and glass shelf. Glass workbench on cabinet
Air circulation cooling 40 kg/m³ polyurethane injection body.



MODEL SIZE (EXTERNAL) (MM)	1000	1200	1500	2000	1750 LEFT&RIGHT CORNER
BACK SLIDING DOOR NUMBER (PC/S)	2	2	2	3	2
USED GAS & AMOUNT (GRAM)	R404 A & 550	R404 A & 650	R404 A & 800	R404 A & 1000	R404 A & 650
USED COMPRESSOR	NU 6215 GK	NU 6215 GK	NU 6215 GK	NU 6215 GK	NU 6215 GK
USED COMPRESSOR BRAND	EMBRACO	EMBRACO	EMBRACO	EMBRACO	EMBRACO
USED COMPRESSOR TYPE	HERMETIC	HERMETIC	HERMETIC	HERMETIC	HERMETIC
CONDANSER CAPACITY (M ²) & FAN/S	8 / 1	8 / 1	8 / 1	8 / 1	8 / 1
VOLUME (M ³)	0,50	0,60	0,74	0,99	0,85
DISPLAY AREA (M ²)	0,76	0,91	1,14	1,52	1,32
LIGHTING (WATT)	52	60	78	94	90
EVAPORATOR FAN NUMBER&WATT	2x18	2x18	3x18	4x18	3x18
GLASS LENGTH (PER LINE) (MM)	1x895	1x1095	1x1395	2x1895	1x955+1x690
BASE WEIGHT CAPACITY	90 KG / M ²				
AMBIENT CONDITION	@+25°C / 60 % RH				
DIGITAL CONTROLLER	ELIWELL ID SERIES / DIXELL				

www.alaskasogutma.com



✉ info@alaskasogutma.com

☎ +90 (342) 328 94 04 (Pbx)

☎ +90 (342) 328 94 07

🏠 Aydınlar Mahallesi 03063 Nolu Cadde No: 23
27580 - Şehitkamil / Gaziantep / TURKEY

