

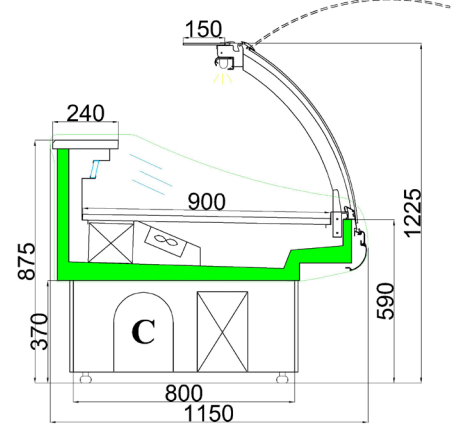
FIRAT-110 PLUG-IN WITH CURVED GLASS

alascold
REFRIGERATION

Technical Specifications



FIRAT Model plug-in refrigerated service aisle is a unique product designed especially for the display of meat, chicken and milk products with the highest cooling capacity, high durability, easy use and cleaning and maximum display space needed in supermarkets.



MODEL SIZE (INTERNAL) (MM)	937	1250	1875	2500	2812	3750
MODEL SIZE (EXTERNAL) (MM)	1031	1344	1969	2594	2906	3844
USED GAS & AMOUNT (GRAM)	R404A&800	R404A&1000	R404A&1300	R404A&1600	R404A&1800	R404A&2100
USED COMPRESSOR	NU 6215 GK	NU 6215 GK	NT 6222 GK	NT 6226 GK	NT 6226 GK	NJ 9238 GK
USED COMPRESSOR BRAND	EMBRACO	EMBRACO	EMBRACO	EMBRACO	EMBRACO	EMBRACO
USED COMPRESSOR TYPE	HERMETIC	HERMETIC	HERMETIC	HERMETIC	HERMETIC	HERMETIC
CONDANSER CAPACITY (M ²) & FAN/S	8 / 1	8 / 1	12 / 2	12 / 2	12 / 2	18 / 3
VOLUME (M ³)	0,39	0,52	0,78	1,04	1,17	1,56
DISPLAY AREA (M ²)	0,61	0,82	1,21	1,63	1,83	2,44
LIGHTING (WATT)	9	18	27	36	36	54
EVAPORATOR FAN NUMBER&WATT	1x43	2x43	3x43	3x43	4x43	5x43
ANTI-DAMP FRONT GLASS FAN NUMBER&WATT	1x18	2x18	3x18	3x18	4x18	6x18
GLASS LENGTH (PER LINE) (MM)	1x937	1x1250	2x937	2x1250	2x1406	3x1250
BASE WEIGHT CAPACITY	90 KG / M ²					
AMBIENT CONDITION	@+25°C / 60 % RH					
DIGITAL CONTROLLER	ELIWELL ID SERIES / DIXELL					
SOLENOID VALVE	DANFOSS / OLAB / SANHUA					
EXPANSION VALVE	DANFOSS					

www.alaskasogutma.com



✉ info@alaskasogutma.com

☎ +90 (342) 328 94 04 (Pbx)

☎ +90 (342) 328 94 07

🏠 Aydınlar Mahallesi 03063 Nolu Cadde No: 23
27580 - Şehitkamil / Gaziantep / TURKEY



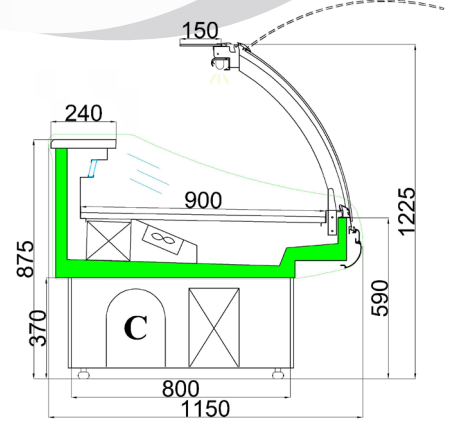
FIRAT-110 PLUG-IN WITH CURVED GLASS EXTERNAL CORNER

alascold
REFRIGERATION

Technical Specifications



FIRAT Model plug-in refrigerated service aisle is a unique product designed especially for the display of meat, chicken and milk products with the highest cooling capacity, high durability, easy use and cleaning and maximum display space needed in supermarkets.



MODEL SIZE (INTERNAL) (MM)	1410
MODEL SIZE (EXTERNAL) (MM)	1460
USED GAS & AMOUNT (GRAM)	R404 A & 950
USED COMPRESSOR	NU 6215 GK
USED COMPRESSOR BRAND	EMBRACO
USED COMPRESSOR TYPE	HERMETIC
CONDANSER CAPACITY (M ²) & FAN/S	8 / 1
VOLUME (M ³)	0,60
DISPLAY AREA (M ²)	1,40
LIGHTING (WATT)	9
EVAPORATOR FAN NUMBER&WATT	1x43
ANTI-DAMP FRONT GLASS FAN NUMBER&WATT	3x18
GLASS LENGTH (PER LINE) (MM)	2x565+1x1125
BASE WEIGTH CAPACITY	90 KG / M ²
AMBIENT CONDITION	@+25°C / 60 % RH
DIGITAL CONTROLLER	ELIWELL ID SERIES / DIXELL
SOLENOID VALVE	DANFOSS / OLAB / SANHUA
EXPANSION VALVE	DANFOSS

www.alaskasogutma.com



✉ info@alaskasogutma.com

☎ +90 (342) 328 94 04 (Pbx)

☎ +90 (342) 328 94 07

🏠 Aydınlar Mahallesi 03063 Nolu Cadde No: 23
27580 - Şehitkamil / Gaziantep / TURKEY



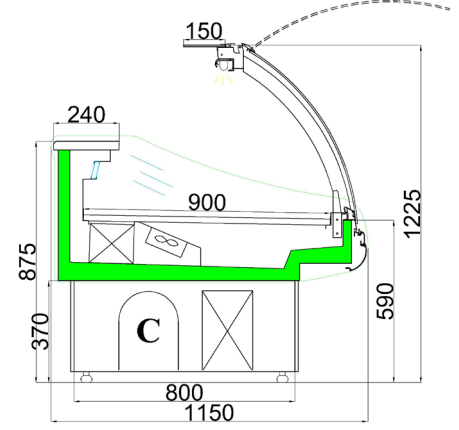
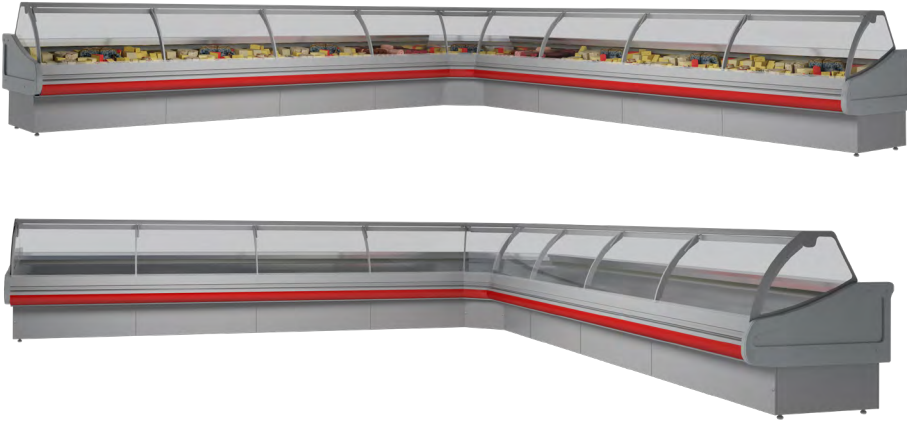
FIRAT-110 PLUG-IN WITH CURVED GLASS INTERNAL CORNER

alascold
REFRIGERATION

Technical Specifications



FIRAT Model plug-in refrigerated service aisle is a unique product designed especially for the display of meat, chicken and milk products with the highest cooling capacity, high durability, easy use and cleaning and maximum display space needed in supermarkets.



MODEL SIZE (INTERNAL) (MM)	1500
MODEL SIZE (EXTERNAL) (MM)	1550
USED GAS & AMOUNT (GRAM)	R404 A & 950
USED COMPRESSOR	NU 6215 GK
USED COMPRESSOR BRAND	EMBRACO
USED COMPRESSOR TYPE	HERMETIC
CONDANSER CAPACITY (M ²) & FAN/S	8 / 1
VOLUME (M ³)	0,68
DISPLAY AREA (M ²)	0,52
LIGHTING (WATT)	9
EVAPORATOR FAN NUMBER&WATT	3x43
ANTI-DAMP FRONT GLASS FAN NUMBER&WATT	3x18
GLASS LENGTH (PER LINE) (MM)	2x210+1x420
BASE WEIGH CAPACITY	90 KG / M ²
AMBIENT CONDITION	@+25°C / 60 % RH
DIGITAL CONTROLLER	ELIWELL ID SERIES / DIXELL
SOLENOID VALVE	DANFOSS / OLAB / SANHUA
EXPANSION VALVE	DANFOSS

www.alaskasogutma.com



✉ info@alaskasogutma.com

☎ +90 (342) 328 94 04 (Pbx)

☎ +90 (342) 328 94 07

🏠 Aydınlar Mahallesi 03063 Nolu Cadde No: 23
27580 - Şehitkamil / Gaziantep / TURKEY



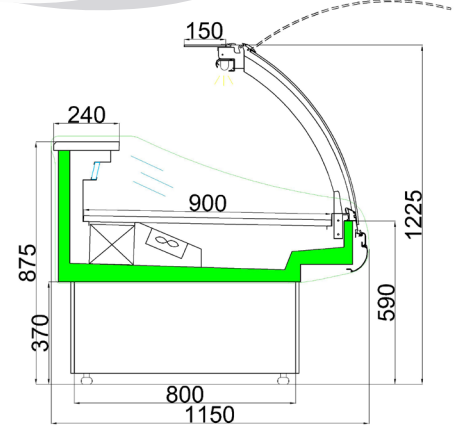
FIRAT-110 REMOTE WITH CURVED GLASS

alascold
REFRIGERATION

Technical Specifications



FIRAT Model remote refrigerated service aisle is a unique product designed especially for the display of meat, chicken and milk products with the highest cooling capacity, high durability, easy use and cleaning and maximum display space needed in supermarkets.



MODEL SIZE (INTERNAL) (MM)		937	1250	1875	2500	2812	3750
MODEL SIZE (EXTERNAL) (MM)		1031	1344	1969	2594	2906	3844
COOLING CAPACITY(WATT)	TEMP.CLASS: 3M2 (DIARY)	371	488	731	975	1097	1463
	TEMP.CLASS: 3M1 (MEAT)	418	550	825	1100	1237	1650
VOLUME (M ³)		0,39	0,52	0,78	1,04	1,17	1,56
DISPLAY AREA (M ²)		0,61	0,82	1,21	1,63	1,83	2,44
LIGHTING (WATT)		9	18	27	36	36	54
EVAPORATOR FAN NUMBER&WATT		1x43	2x43	3x43	3x43	4x43	5x43
ANTI-DAMP FRONT GLASS FAN NUMBER&WATT		1x18	2x18	3x18	3x18	4x18	6x18
GLASS LENGTH (PER LINE) (MM)		1x937	1x1250	2x937	2x1250	2x1406	3x1250
BASE WEIGHT CAPACITY		90 KG / M ²					
AMBIENT CONDITION		@+25°C / 60 % RH					
DIGITAL CONTROLLER		ELIWELL ID SERIES / DIXELL					
SOLENOID VALVE		DANFOSS / OLAB / SANHUA					
EXPANSION VALVE		DANFOSS					

www.alaskasogutma.com



✉ info@alaskasogutma.com

☎ +90 (342) 328 94 04 (Pbx)

☎ +90 (342) 328 94 07

🏠 Aydınlar Mahallesi 03063 Nolu Cadde No: 23
27580 - Şehitkamil / Gaziantep / TURKEY



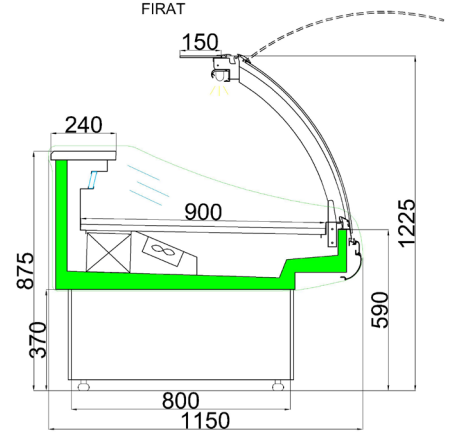
FIRAT-110 REMOTE WITH CURVED GLASS EXTERNAL CORNER

alascold
REFRIGERATION

Technical Specifications



FIRAT Model remote refrigerated service aisle is a unique product designed especially for the display of meat, chicken and milk products with the highest cooling capacity, high durability, easy use and cleaning and maximum display space needed in supermarkets.



MODEL SIZE (INTERNAL) (MM)		1410
MODEL SIZE (EXTERNAL) (MM)		1460
COOLING CAPACITY (WATT)	TEMP.CLASS: 3M2 (DIARY)	800
	TEMP.CLASS: 3MI (MEAT)	1000
VOLUME (M ³)		0,60
DISPLAY AREA (M ²)		1,40
LIGHTING (WATT)		9
EVAPORATOR FAN NUMBER&WATT		1x43
ANTI-DAMP FRONT GLASS FAN NUMBER&WATT		3x18
GLASS LENGTH (PER LINE) (MM)		2x565+1x1125
BASE WEIGHT CAPACITY		90 KG / M ²
AMBIENT CONDITION		@+25°C / 60 % RH
DIGITAL CONTROLLER		ELIWELL ID SERIES / DIXELL
SOLENOID VALVE		DANFOSS / OLAB / SANHUA
EXPANSION VALVE		DANFOSS

www.alaskasogutma.com



✉ info@alaskasogutma.com

☎ +90 (342) 328 94 04 (Pbx)

☎ +90 (342) 328 94 07

🏠 Aydınlar Mahallesi 03063 Nolu Cadde No: 23
27580 - Şehitkamil / Gaziantep / TURKEY



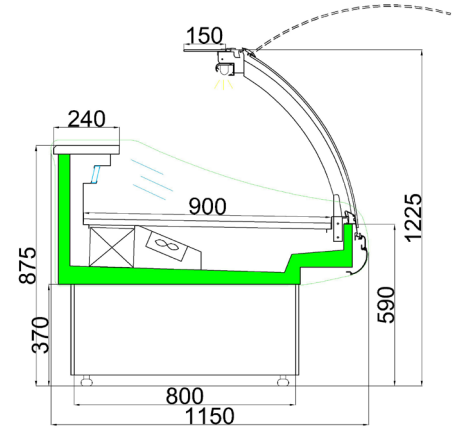
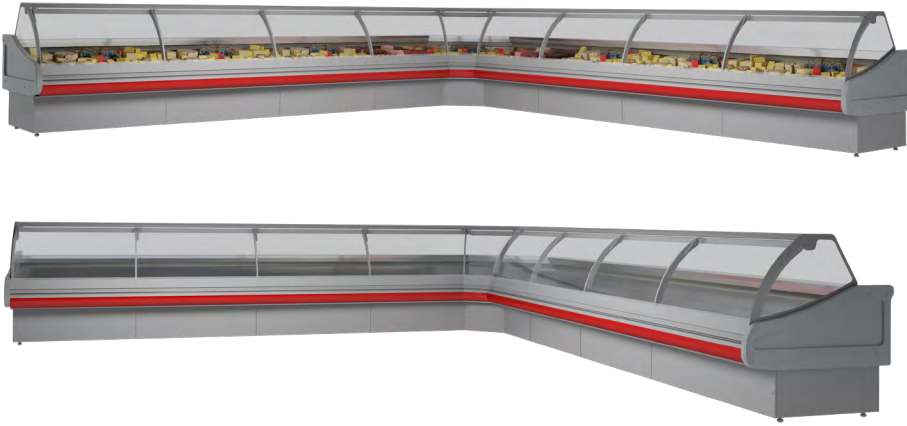
FIRAT-110 REMOTE WITH CURVED GLASS INTERNAL CORNER

alascold
REFRIGERATION

Technical Specifications



FIRAT Model remote refrigerated service aisle is a unique product designed especially for the display of meat, chicken and milk products with the highest cooling capacity, high durability, easy use and cleaning and maximum display space needed in supermarkets.



MODEL SIZE (INTERNAL) (MM)		1500
MODEL SIZE (EXTERNAL) (MM)		1550
COOLING CAPACITY (WATT)	TEMP.CLASS: 3M2 (DIARY)	1300
	TEMP.CLASS: 3M1 (MEAT)	1500
VOLUME (M ³)		0,68
DISPLAY AREA (M ²)		0,52
LIGHTING (WATT)		9
EVAPORATOR FAN NUMBER&WATT		3x43
ANTI-DAMP FRONT GLASS FAN NUMBER&WATT		3x18
GLASS LENGTH (PER LINE) (MM)		2x210+1x420
BASE WEIGHT CAPACITY		90 KG / M ²
AMBIENT CONDITION		@+25°C / 60 % RH
DIGITAL CONTROLLER		ELIWELL ID SERIES / DIXELL
SOLENOID VALVE		DANFOSS / OLAB / SANHUA
EXPANSION VALVE		DANFOSS

www.alaskasogutma.com



✉ info@alaskasogutma.com

☎ +90 (342) 328 94 04 (Pbx)

☎ +90 (342) 328 94 07

🏠 Aydınlar Mahallesi 03063 Nolu Cadde No: 23
27580 - Şehitkamil / Gaziantep / TURKEY

