

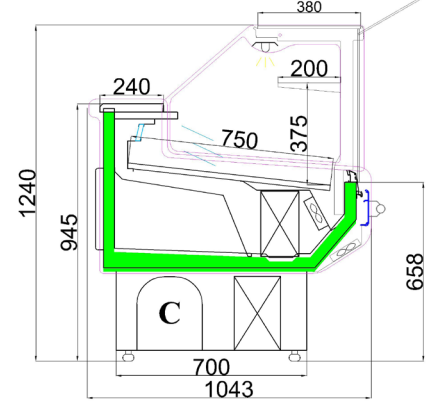
# TUNA-100 PLUG-IN WITH VERTICAL GLASS

**alascold**  
REFRIGERATION

## Technical Specifications



TUNA-D Model plug-in refrigerated service aisle is a unique product designed especially for the display of meat, chicken and milk products with the highest cooling capacity, high durability, easy use and cleaning and maximum display space needed in supermarkets.



MODEL SIZE (INTERNAL) (MM)	937	1250	1875	2500	2812	3750
MODEL SIZE (EXTERNAL) (MM)	1031	1344	1969	2594	2906	3844
USED GAS & AMOUNT (GRAM)	R404A&800	R404A&1000	R404A&1300	R404A&1600	R404A&1800	R404A&2100
USED COMPRESSOR	NU 6215 GK	NU 6215 GK	NT 6222 GK	NT 6226 GK	NT 6226 GK	NJ 9238 GK
USED COMPRESSOR BRAND	EMBRACO	EMBRACO	EMBRACO	EMBRACO	EMBRACO	EMBRACO
USED COMPRESSOR TYPE	HERMETIC	HERMETIC	HERMETIC	HERMETIC	HERMETIC	HERMETIC
CONDANSER CAPACITY (M <sup>2</sup> ) &FAN/S	8 / 1	8 / 1	12 / 2	12 / 2	12 / 2	18 / 3
VOLUME (M <sup>3</sup> )	0,33	0,43	0,65	0,87	0,98	1,29
DISPLAY AREA (M <sup>2</sup> )	0,52	0,69	1,03	1,38	1,55	2,06
LIGHTING (WATT)	9	18	27	36	36	54
EVAPORATOR FAN NUMBER&WATT	2x43	2x43	3x43	4x43	5x43	7x43
ANTI-DAMP FRONT GLASS FAN NUMBER&WATT	1x18	2x18	3x18	3x18	4x18	6x18
GLASS LENGTH (PER LINE) (MM)	1x937	1x1250	2x937	2x1250	2x1406	3x1250
BASE WEIGTH CAPACITY	90 KG / M <sup>2</sup>					
AMBIENT CONDITION	@+25°C / 60 % RH					
DIGITAL CONTROLLER	ELIWELL ID SERIES / DIXELL					
SOLENOID VALVE	DANFOSS / OLAB / SANHUA					
EXPANSION VALVE	DANFOSS					

[www.alaskasogutma.com](http://www.alaskasogutma.com)



✉ info@alaskasogutma.com

☎ +90 (342) 328 94 04 (Pbx)

☎ +90 (342) 328 94 07

🏠 Aydınlar Mahallesi 03063 Nolu Cadde No: 23  
27580 - Şehitkamil / Gaziantep / TURKEY



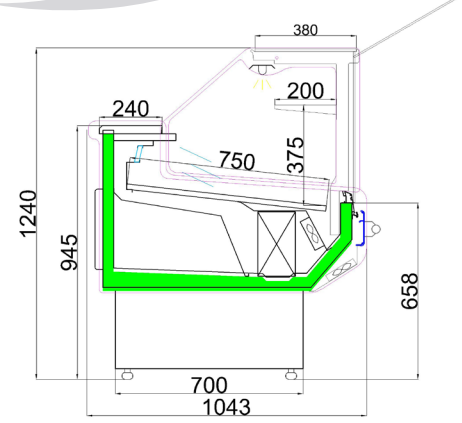
# TUNA-100 REMOTE WITH VERTICAL GLASS

**alascold**  
REFRIGERATION

## Technical Specifications



TUNA-D Model plug-in refrigerated service aisle is a unique product designed especially for the display of meat, chicken and milk products with the highest cooling capacity, high durability, easy use and cleaning and maximum display space needed in supermarkets.



MODEL SIZE (INTERNAL) (MM)		937	1250	1875	2500	2812	3750
MODEL SIZE (EXTERNAL) (MM)		1031	1344	1969	2594	2906	3844
COOLING CAPACITY(WATT)	TEMP.CLASS: 3M2 (DIARY)	418	550	825	1100	1237	1650
	TEMP.CLASS: 3M1 (MEAT)	466	613	919	1225	1378	1838
VOLUME (M <sup>3</sup> )		0,33	0,43	0,65	0,87	0,98	1,29
DISPLAY AREA (M <sup>2</sup> )		0,52	0,69	1,03	1,38	1,55	2,06
LIGHTING (WATT)		9	18	27	36	36	54
EVAPORATOR FAN NUMBER&WATT		2x43	2x43	3x43	4x43	5x43	7x43
ANTI-DAMP FRONT GLASS FAN NUMBER&WATT		1x18	2x18	3x18	3x18	4x18	6x18
GLASS LENGTH (PER LINE) (MM)		1x937	1x1250	2x937	2x1250	2x1406	3x1250
BASE WEIGHT CAPACITY		90 KG / M <sup>2</sup>					
AMBIENT CONDITION		@+25°C / 60 % RH					
DIGITAL CONTROLLER		ELIWELL ID SERIES / DIXELL					
SOLENOID VALVE		DANFOSS / OLAB / SANHUA					
EXPANSION VALVE		DANFOSS					

[www.alaskasogutma.com](http://www.alaskasogutma.com)



✉ info@alaskasogutma.com

☎ +90 (342) 328 94 04 (Pbx)

☎ +90 (342) 328 94 07

🏠 Aydınlar Mahallesi 03063 Nolu Cadde No: 23  
27580 - Şehitkamil / Gaziantep / TURKEY

