

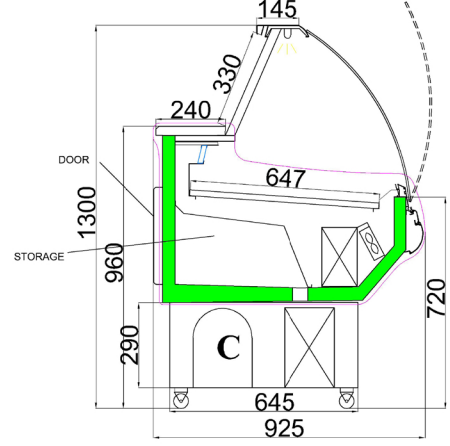
# TUNA-ECO PLUG-IN WITH CURVED GLASS

**alascold**  
REFRIGERATION

## Technical Specifications



TUNA-ECO Model plug-in refrigerated service aisle is a unique product designed especially for the display of meat, chicken and milk products with the highest cooling capacity, high durability, easy use and cleaning and maximum display space needed in supermarkets.



MODEL SIZE (INTERNAL) (MM)	937	1250	1875	2500
MODEL SIZE (EXTERNAL) (MM)	1031	1344	1969	2594
USED GAS & AMOUNT (GRAM)	R404 A & 800	R404 A & 1000	R404 A & 1300	R404 A & 1600
USED COMPRESSOR	NU 6215 GK	NU 6215 GK	NT 6222 GK	NT 6226 GK
USED COMPRESSOR BRAND	EMBRACO	EMBRACO	EMBRACO	EMBRACO
USED COMPRESSOR TYPE	HERMETIC	HERMETIC	HERMETIC	HERMETIC
CONDANSER CAPACITY (M <sup>2</sup> ) & FAN/S	8 / 1	8 / 1	12 / 2	12 / 2
VOLUME (M <sup>3</sup> )	0,24	0,32	0,48	0,64
DISPLAY AREA (M <sup>2</sup> )	0,55	0,70	1,05	1,40
LIGHTING (WATT)	9	18	27	36
EVAPORATOR FAN NUMBER&WATT	2x43	2x43	3x43	4x43
ANTI-DAMP FRONT GLASS FAN NUMBER&WATT	1x18	2x18	3x18	4x18
GLASS LENGTH (PER LINE) (MM)	1x937	1x1250	2x937	2x1250
BASE WEIGTH CAPACITY	90 KG / M <sup>2</sup>			
AMBIENT CONDITION	@+25°C / 60 % RH			
DIGITAL CONTROLLER	ELIWELL ID SERIES / DIXELL			

[www.alaskasogutma.com](http://www.alaskasogutma.com)



✉ info@alaskasogutma.com

☎ +90 (342) 328 94 04 (Pbx)

☎ +90 (342) 328 94 07

🏠 Aydınlar Mahallesi 03063 Nolu Cadde No: 23  
27580 - Şehitkamil / Gaziantep / TURKEY

